

# PROFOLIO™

AMERICAN WOODMARK

# PRO CABINET CONCIERGE



HAMPTON BAY

Shaker Dove Grey



HAMPTON BAY

DESIGNER SERIES

Melvern White



WoodmarkPRO®

Westerly Maple Rye and Painted Linen

INTRODUCING

# PRO Cabinet Concierge!

## Stop buying cabinets. Buy kitchens.

Let's face it...cabinet installation can be time consuming and a struggle by even the most experienced contractors. With 30 years of cabinet installation experience, we have that process down pat. That is why we are proud to introduce **PRO Cabinet Concierge** – a professional cabinet installation program offered through our PROfolio of brands. From jobsite measurement to final walk-through, let us take the burden of cabinet installation off of your plate.

### 1 Get Connected

Contact us or your local Home Depot store representative to get started and discuss your project details.

- Call us at: **1-855-HDPRO44**
- Email us at: **Install@woodmark.com**
- Visit: **woodmarkcabinetry.com/install**

Meet your dedicated sales rep **the way you want to**. At the jobsite, over the phone, or even virtually.



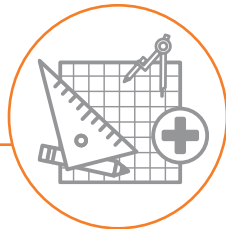
### 2 Measure, Design & Order

**MEASURE** In a timeframe that fits your schedule, we will complete the following:

- Measure your jobsite
- Present our **Profolio of brands** and product offering

**DESIGN** Stay on track with the help of our highly skilled, **in-house design support team** to quickly obtain a cabinet layout and final quote.

**ORDER** To finalize your purchase, your Pro Sales Representative will meet with you to review your project details, answer any questions you may have, and take payment. Your order will then be submitted to our **quick-response Customer Care team** to ensure **fast delivery**.



### 3 Deliver & Install

Your purchased product will be **delivered directly to your jobsite**, and installation will be scheduled and completed to fit within your timeline.

- Direct to jobsite delivery
- **Free jobsite delivery** on all Woodmark Pro orders
- **Trained, background-checked installation crew**



### 4 Complete Satisfaction

From jobsite measurement to final walk-through, we're with you every step of the way.



### Unrivaled Cabinet Installation

- Industry leader of cabinet installation
- **Complete your jobs faster** by trusting us with professional and timely installation services
- Trained, background-checked installers
- Flexible scheduling to **accommodate your timeline**

### "Everything You Need" Product Offering

- Prices that can't be beat for the value
- PROfolio of brands to help you meet your various project needs and **win more business**
- Free jobsite delivery on all Woodmark PRO orders

### Best-in-Class Service

- We measure, design, deliver and install – **all risk is on US!**
- Once connected, meet your dedicated Woodmark Pro Sales Representative **the way you want to**. At the jobsite, over the phone, or even virtually.
- Best-in-class customer care support
- Receive a guaranteed deliver-by date with American Woodmark PROXpress
- From jobsite measurement to final walk-through, we're with you **every step of the way**.



**THE HOME DEPOT HOME SERVICES**  
Let us do it for you.

# Still installing cabinets? Get with the program!

The easiest decision you'll ever make is choosing **PRO Cabinet Concierge**

**— THE BEST VALUE FOR PROS —**

for all of your cabinet needs!

# Hampton Bay Collections

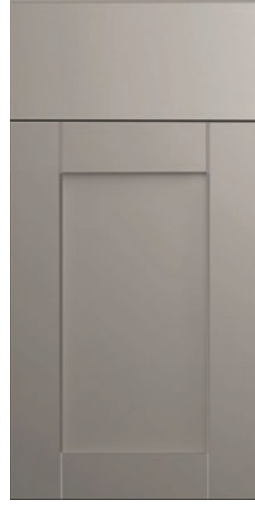
# HAMPTON BAY

## Shaker



**Brindle**

• Full overlay



**Dove Gray RTF**

• Full overlay



**Java**

• Full overlay



**Satin White RTF**

• Full overlay

## Hampton



**Cognac**

• Partial overlay



**Satin White RTF**

• Full overlay



**Medium Oak**

• Partial overlay



**Natural Hickory**

• Partial overlay



## Hampton Bay Accessories



**Burnish, Zinc Knob**  
KNOB 1173SN

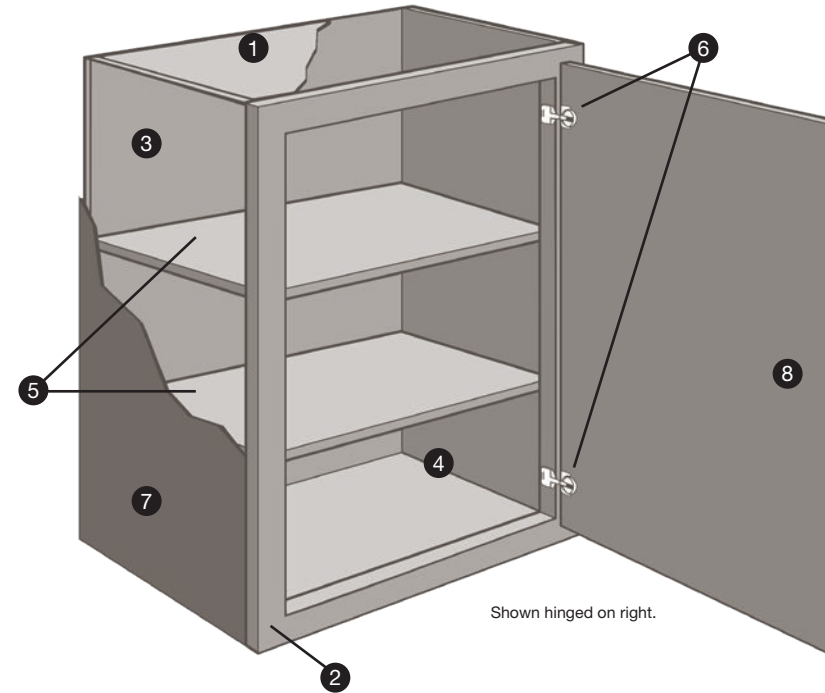


**Burnish, Zinc Pull**  
PULL 1078SN



**Satin Nickel Pull**  
PULL 1071SN

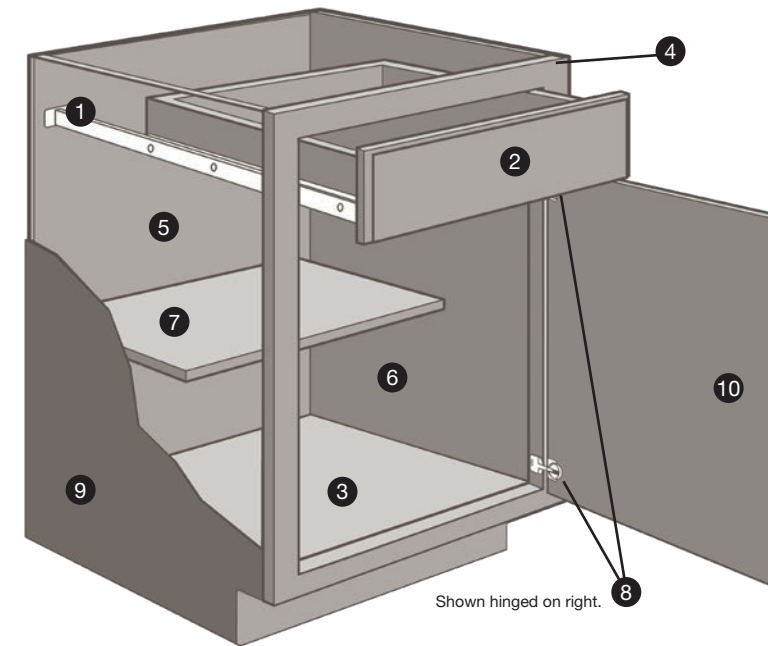
## Hampton Bay Construction



### Wall Cabinets

- 1 **Top/Bottom Panels:** 3/8" engineered wood fully encapsulated in the face frame, back and side panels.
- 2 **Face Frame:** Pocket screw construction with 3/4" thick, 1 1/2" wide material.
- 3 **Back Panel:** Full 3/8" back panel fully encapsulated into top and bottom panels for strength.
- 4 **Interiors:** Natural maple laminate finish on engineered wood.
- 5 **Shelves:** 3/4" thick adjustable shelves with metal shelf pins.
- 6 **Hinges:** Fully concealed and adjustable.
- 7 **End Panels:** Finished cabinetry – 1/2" engineered wood with laminated exterior to match cabinet finish. Unfinished cabinetry – 1/2" engineered wood with raw exterior.
- 8 **Door:** Reversible door on single-door cabinets for left or right opening. Hinged on the left from the factory. Double door cabinets are full-access, no center stile.

### Base Cabinets



- 1 **Drawer Glides:** Finished cabinetry – Ball-Bearing. Unfinished cabinetry – Epoxy.
- 2 **Drawer Box:** Hardwood 4-sided drawer box with fully encapsulated bottom panel.
- 3 **Bottom Panels:** 3/8" engineered wood fully encapsulated in the face frame, back and side panels.
- 4 **Face Frame:** Pocket screw construction with 3/4" thick, 1 1/2" wide material.
- 5 **Back Panel:** Full 3/8" hardboard with a natural maple laminate interior. Sink bases must be cut for plumbing access.
- 6 **Interiors:** Natural maple laminate finish on engineered wood.
- 7 **Shelf:** 3/4" thick adjustable half-depth shelf.
- 8 **Hinges:** Fully concealed and adjustable.
- 9 **End Panels:** Finished cabinetry – 1/2" engineered wood with laminated exterior to match cabinet finish. Unfinished cabinetry – 1/2" engineered wood with raw exterior.
- 10 **Door:** Reversible door on single-door cabinets for left or right opening. Hinged on the left from the factory. Double door cabinets are full-access, no center stile.

## Gretna



Espresso

- Frameless construction

## Edgeley



White

- Frameless construction



Glacier

- Frameless construction



Driftwood

- Frameless construction



Thunder

- Frameless construction

## Elgin



White

- Frameless construction



Heron Gray

- Frameless construction

## Melvern



White

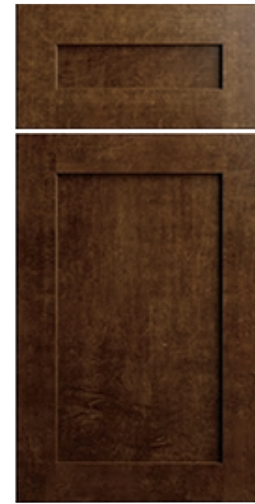
- Frameless construction



Heron Gray

- Frameless construction

## Soleste



Spice

- Frameless construction

## Hampton Bay Designer Series Accessories



Standard Brushed Nickel Knob  
AHK1-BN

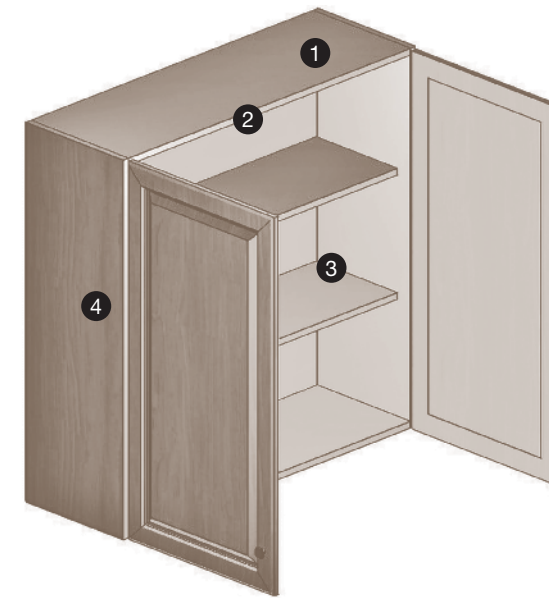


Gallery Brushed Nickel Pull  
AHP13.5-BN  
AHP13.12-BN



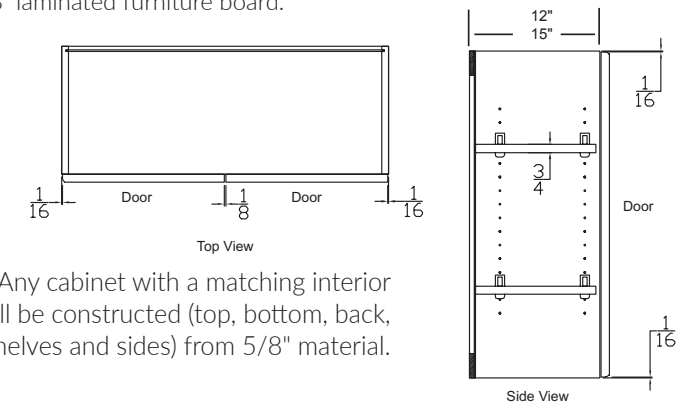
Square Brushed Nickel Pull  
AHP14-BN

## Hampton Bay Designer Series Construction



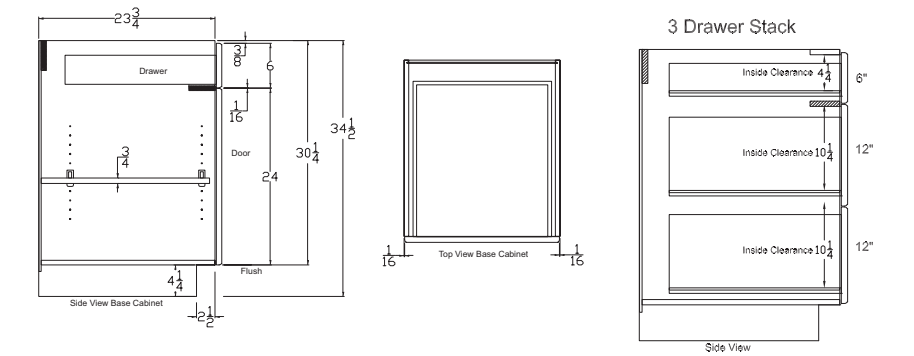
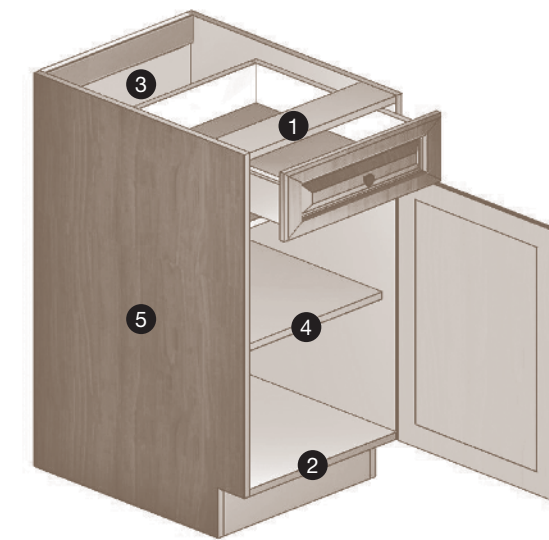
### Wall Cabinets

- 1 Top/Bottom Panels:** 3/4" laminated furniture board.
- 2 Back Panel:** 1/4" laminated furniture board with 4" x 1/2" concealed furniture board mounting rails top and bottom. Cabinets 36" and wider will be drilled for center shelf supports.
- 3 Shelves:** Fully adjustable 3/4" laminated furniture board. Cabinets 21" tall and shorter do not include adjustable shelves. Cabinets 24" tall include one shelf and two hinges. Cabinets 30" and 36" tall include two adjustable shelves and two hinges. Cabinets 42" tall include three adjustable shelves and three hinges.
- 4 End Panels:** 5/8" laminated furniture board.



### Base Cabinets




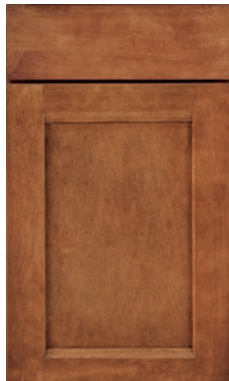

- 1 Top Panel:** 5/8" plywood rails.
- 2 Bottom Panel:** 5/8" laminated furniture board.
- 3 Back Panel:** 1/4" laminated furniture board with 4" x 5/8" plywood mounting rail.
- 4 Shelf:** Fully adjustable 3/4" laminated furniture board.
- 5 End Panels:** 5/8" laminated furniture board.




# Woodmark PRO Collections

<p><b>Leesburg<sup>®</sup></b></p>  <ul style="list-style-type: none"> <li>• Full overlay, with 2-1/4" frame</li> <li>• Recessed shaker panel*</li> </ul>	<p><b>Ashland<sup>®</sup></b></p>  <ul style="list-style-type: none"> <li>• Partial overlay</li> <li>• Recessed panel*</li> </ul>	<p><b>Reading<sup>®</sup></b></p>  <ul style="list-style-type: none"> <li>• Full overlay, with 3" frame</li> <li>• Recessed shaker panel*</li> </ul>	<p><b>MacArthur<sup>®</sup></b></p>  <ul style="list-style-type: none"> <li>• Full overlay mitered</li> <li>• Recessed panel*</li> </ul>
---	--	---	--

<p><b>Shorebrook<sup>®</sup></b></p>  <ul style="list-style-type: none"> <li>• Full overlay</li> <li>• Recessed beadboard panel*</li> </ul>	<p><b>Portola<sup>®</sup></b></p>  <ul style="list-style-type: none"> <li>• Full overlay</li> <li>• Raised panel*</li> </ul>	<p><b>Hanover<sup>®</sup></b></p>  <ul style="list-style-type: none"> <li>• Full overlay</li> <li>• Slab veneer panel with solid wood edge banding</li> </ul>	<p><b>Savannah<sup>®</sup></b></p>  <ul style="list-style-type: none"> <li>• Full overlay mitered</li> <li>• Raised panel*</li> </ul>
--	---	--	--

<p><b>Brookland<sup>®</sup></b></p>  <ul style="list-style-type: none"> <li>• Full overlay mitered</li> <li>• RBV recessed panel</li> </ul>	<p><b>Portland<sup>®</sup></b></p>  <ul style="list-style-type: none"> <li>• Partial overlay</li> <li>• Raised panel</li> </ul>	<p><b>Westerly</b></p>  <ul style="list-style-type: none"> <li>• Full Overlay</li> <li>• Raised Panel Doors</li> <li>• Slab Drawer Fronts</li> </ul>	<p><b>Del Ray<sup>®</sup></b></p>  <ul style="list-style-type: none"> <li>• Full overlay, with 3" frame</li> <li>• Recessed shaker panel*</li> <li>• Cascading top and bottom rails</li> </ul>	<p><b>Garner<sup>®</sup></b></p>  <ul style="list-style-type: none"> <li>• Full overlay mitered</li> <li>• Recessed Panel*</li> </ul>
--	---	--	---	---

<p><b>Glen Ellen<sup>®</sup></b></p>  <ul style="list-style-type: none"> <li>• Partial overlay mitered</li> <li>• Recessed panel</li> <li>• Only available in Duraform</li> </ul>	<p><b>San Mateo<sup>®</sup></b></p>  <ul style="list-style-type: none"> <li>• Partial overlay</li> <li>• Recessed shaker panel</li> <li>• Only available in Duraform</li> </ul>
---	---

## Woodmark PRO Best Selling Accessories

\*Painted finishes may blend engineered and natural materials for a more consistent product.

### Sculpted Knobs & Pulls


<p><b>Polished Chrome</b></p>  <p>PULL 4302PC</p>  <p>KNOB 4303PC</p>	<p><b>Satin Nickel</b></p>  <p>PULL 4302SN</p>  <p>KNOB 4303SN</p>
<p><b>Brushed Tin</b></p>  <p>PULL 4302BT</p>  <p>KNOB 4303BT</p>	<p><b>Verona Bronze</b></p>  <p>PULL 4302VB</p>  <p>KNOB 4303VB</p>

### Rope Knobs & Flat Contour Pulls


<p><b>Satin Nickel</b></p>  <p>PULL 3230SN</p>  <p>KNOB 3231SN</p>	<p><b>OILED BRONZE</b></p>  <p>PULL 3230OB</p>  <p>KNOB 3231OB</p>
<p><b>Weathered Nickel</b></p>  <p>PULL 3230WN</p>  <p>KNOB 3231WN</p>	

### T-Bar Pulls


**Satin Nickel**



12 3/8" PULL 4701SN



8" PULL 4712SN



5 1/2" PULL 4730SN

### Bow Pulls

**VERONA BRONZE**



PULL 3129VB

**Satin Nickel**



PULL 3129SN

### Twisted Crescent Pull

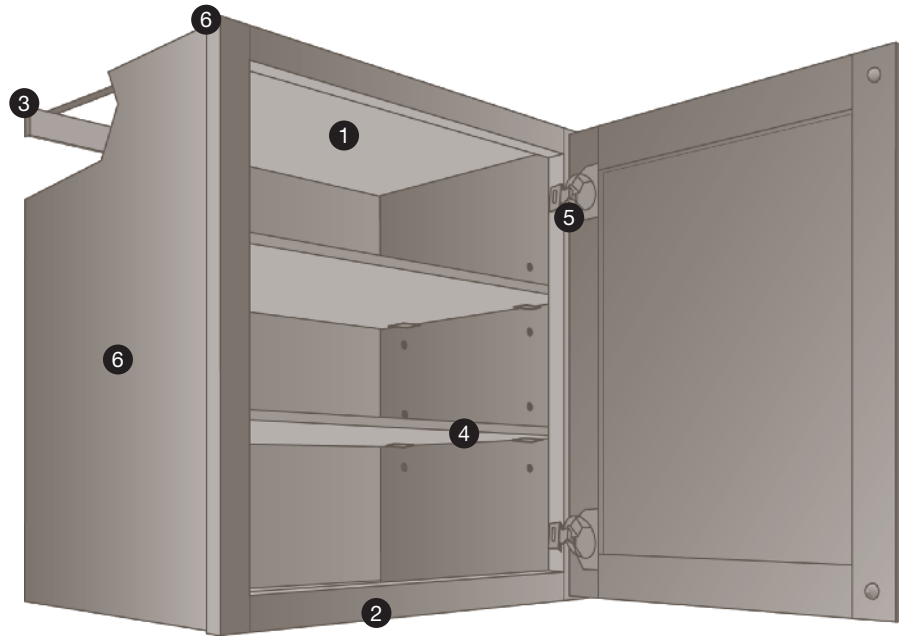
**SATIN NICKEL**



PULL 3122SN

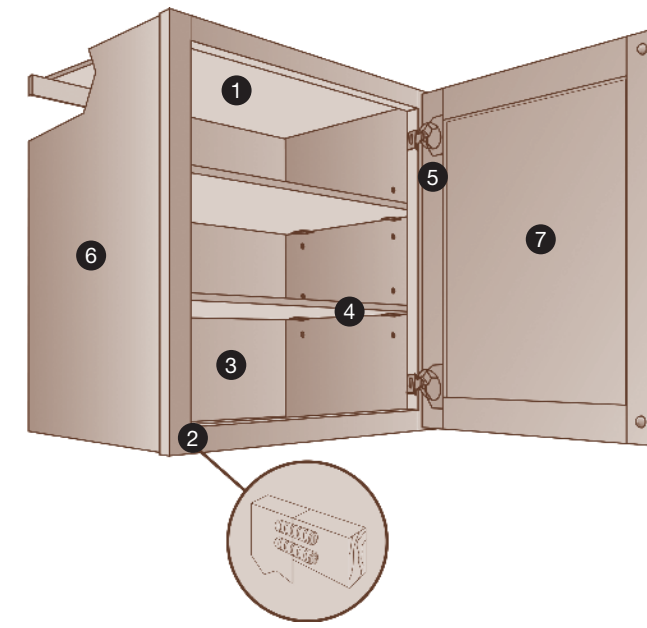
# Woodmark PRO Finishes

	PAINTED									MAPLE					CHERRY		DURAFORM <sup>®</sup>						
	HARBOR	EMBER GLAZE	STONE	BOULDER	LINEN	PEWTER GLAZE	SILK	HAZELNUT GLAZE	NAVY	RYE	SPICE	COGNAC	TRUFFLE	SLATE	JAVA	SLATE	HARBOR	STONE	LINEN	ESPRESSO	BREEZE	DRIFT	CASCADE
<b>Leesburg<sup>®</sup></b>																							
<b>Ashland<sup>®</sup></b>																							
<b>Reading<sup>®</sup></b>																							
<b>San Mateo<sup>®</sup></b>																							
<b>Portola<sup>®</sup></b>																							
<b>Hanover<sup>®</sup></b>																							
<b>Savannah<sup>®</sup></b>																							
<b>Brookland<sup>®</sup></b>																							
<b>Portland<sup>®</sup></b>																							
<b>Westerly<sup>®</sup></b>																							
<b>Glen Ellen<sup>®</sup></b>																							
<b>Del Ray<sup>®</sup></b>																							
<b>MacArthur<sup>®</sup></b>																							
<b>Shorebrook<sup>®</sup></b>																							
<b>Garner<sup>®</sup></b>																							



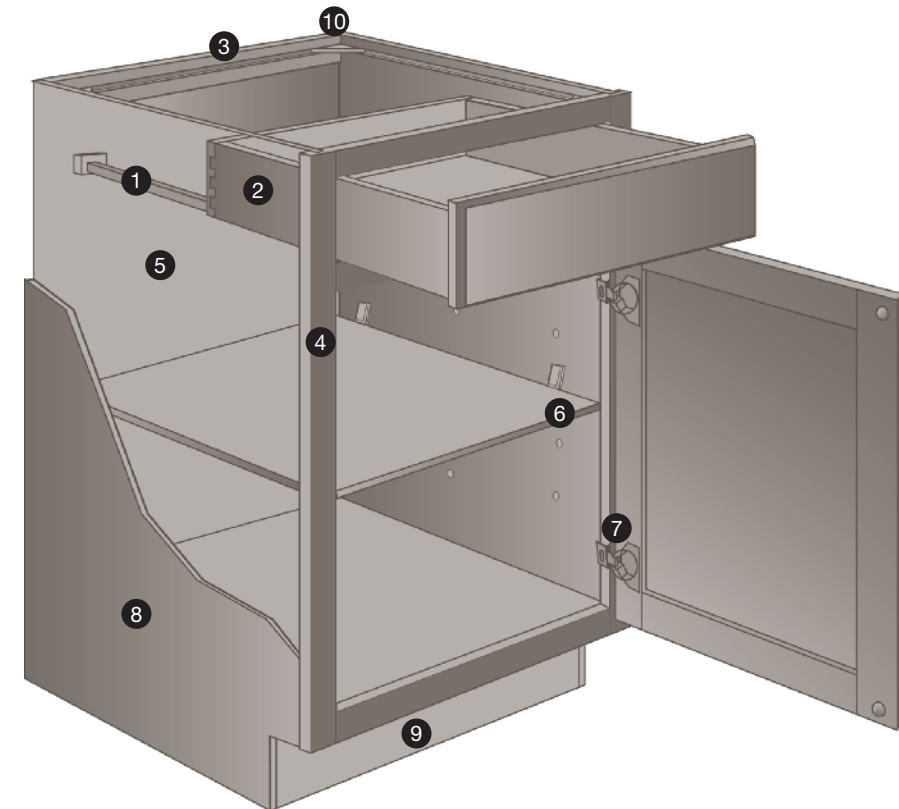
Wall Cabinets

- 1 **Top/Bottom Panels:** 1/2" structural hanging rail. 1/2" plywood top and bottom options.
- 2 **Face Frame:** 3/4" x 1 1/2" hardwood, solid, kiln-dried face frame.
- 3 **Back Panel:** 1/8" hardboard substrate captured back.
- 4 **Shelf:** 3/4" engineered wood shelving with edge banding, metal shelf rests and adjustable shelf holes. 3/4" thick plywood shelving with edge banding option.
- 5 **Hinges:** Hidden Hinges® with CushionClose®. 6-way adjustable hinges.
- 6 **End Panels:** 1/2" engineered wood sides with TuffTech® finish. 1/2" plywood sides end option. 3/4" plywood sides furniture end option.



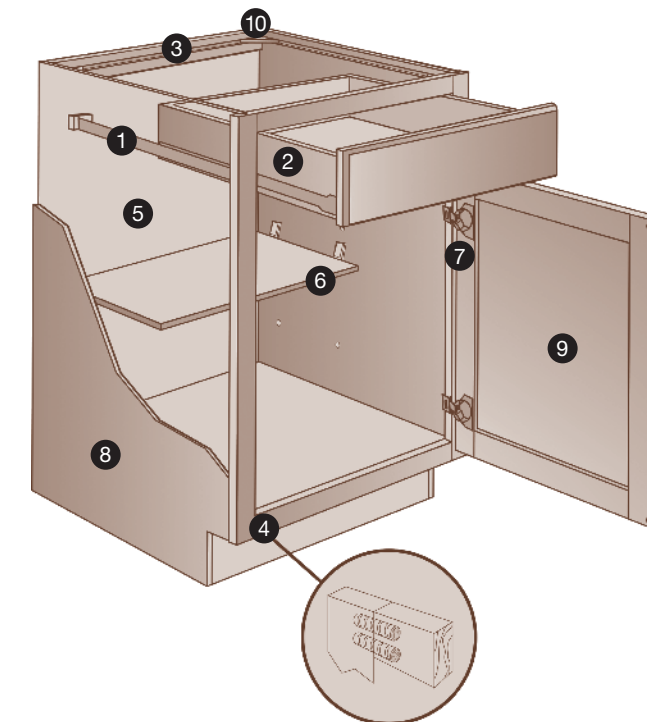
Wall Cabinets

- 1 **Top/Bottom Panels:** 1/2" structural hanging rail.
- 2 **Face Frame:** 3/4" x 1 1/2" solid hardwood face frame. Joints are pressure fitted, glued, double doweled & stapled.
- 3 **Back Panel:** 1/8" hardboard substrate captured back.
- 4 **Shelf:** 1/2" thick shelving with metal shelf rests.
- 5 **Hinges:** 6-way adjustable Hidden Hinges®.
- 6 **End Panels:** 1/2" engineered wood with our TuffTech® finishing system.
- 7 **Doors:** Floating center panel with our BeautyGuard® finishing system used on wood doors.



Base Cabinets

- 1 **Drawer Glides:** Full Access Hidden Glides® System with CushionClose®
- 2 **Drawer Box:** Adjustable hardwood drawer front with 5/8" dovetail box and plywood bottom.
- 3 **Top Panel:** 3/4" hardwood hanging rail. 1/2" plywood top and bottom options.
- 4 **Face Frame:** 3/4" x 1 1/2" hardwood, solid, kiln-dried face frame.
- 5 **Back Panel:** 1/8" hardboard substrate captured back.
- 6 **Shelf:** 3/4" engineered wood shelving with edge banding, and base locking shelf rests. 3/4" thick plywood shelving with edge banding option.
- 7 **Hinges:** Hidden Hinges® with CushionClose®. 6-way adjustable hinges.
- 8 **End Panels:** 1/2" engineered wood sides with TuffTech® finish. 1/2" plywood sides end option. 3/4" plywood sides furniture end option.
- 9 **Toe Kick:** 1/2" engineered wood inset toe kick. 1/2" plywood inset toe kick option.
- 10 **Corner Block**



Base Cabinets

- 1 **Drawer Glides:** Side-mounted, epoxy coated & self-aligning.
- 2 **Drawer Box:** 1/2" thick engineered wood with MDF bottoms, finished with our TuffTech® finishing system. Upgrade Option: 5/8" Dovetail hardwood drawer box with laminated MDF bottom.
- 3 **Top Panel:** 3/4" hardwood hanging rail.
- 4 **Face Frame:** 3/4" x 1 1/2" solid hardwood face frame. Joints are pressure fitted, glued, double doweled & stapled.
- 5 **Back Panel:** 1/8" hardboard substrate captured back.
- 6 **Shelf:** 1/2" thick shelving with locking plastic shelf rests.
- 7 **Hinges:** 6-way adjustable Hidden Hinges®.
- 8 **End Panels:** 1/2" engineered wood with our TuffTech® finishing system.
- 9 **Doors:** Floating center panel with our BeautyGuard® finishing system used on wood doors.
- 10 **Corner Block**

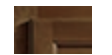
Clearfield®



- Partial overlay
- Recessed panel



TRUFFLE

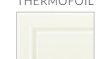


Sunbrook®



- Full overlay
- Raised panel

WHITE THERMOFOIL



# A professional look for *every room.*

American Woodmark's PROfolio™ lineup offers cabinetry solutions for the whole home — kitchens, bathrooms, work spaces, utility rooms and more. Our collections offer the styles you want, with the functions you need, at a price you can afford.



Contact us or your local Home Depot store representative to get started and discuss your project details.

Call us at **1-855-HDPRO44**

Email us at [Install@woodmark.com](mailto:Install@woodmark.com)

Visit [woodmarkcabinetry.com/install](http://woodmarkcabinetry.com/install)



# Product Features



HAMPTON BAY

HAMPTON BAY DESIGNER SERIES

AMERICAN WoodmarkPRO®

Standard Construction			
Framed	●		●
Frameless		●	
1/2" Thick Engineered Wood Cabinet Sides	●		●
5/8" Side Panels		●	
Half Depth Adjustable Base Shelves	●		
Full Depth Adjustable Base Shelves		●	●
CushionClose®		●	●
<b>Drawers &amp; Glides</b>			
Ball-bearing Hardwood Drawer Box	●		
Full Access Soft-Close & Dovetail Drawer Box		●	
Full Access Soft-Close & Dovetail Drawer Box with Plywood Bottoms			●
<b>Hinges</b>			
Fully Concealed & Adjustable	●		
Soft-Close Doors & Adjustable		●	●
<b>Warranty</b>			
Lifetime Limited	●	●	●
<b>Available Options &amp; Modifications</b>			
All Plywood Construction			●
Plywood Ends			●
Furniture Ends			●



ANSI/KCMA A161.1



KITCHEN CABINET MANUFACTURERS ASSOCIATION ENVIRONMENTAL STEWARDSHIP PROGRAM (ESP). ALL PRODUCTS MEET THE ENVIRONMENT FOR ESP PROGRAM CRITERIA. VISIT [KCMA.ORG](http://KCMA.ORG)



All American Woodmark products meet or exceed the stringent performance requirement established by the Kitchen Cabinet Manufacturing Association (KCMA). The KCMA Performance & Construction Standards ANSI/KCMA A161.1 is recognized & over-seen by the American National Standards Institute. This standard also meets the HUD specification 4910.1 Paragraph 611-1.1, Minimum Property Standards for Housing.



Let us do it for you.

©2021 American Woodmark Corporation®  
The Home Depot® is a registered trademark of Home Depot, Inc.

Customer Care: 1-855-HDPRO44 | [WoodmarkCabinetry.com/Install](http://WoodmarkCabinetry.com/Install)